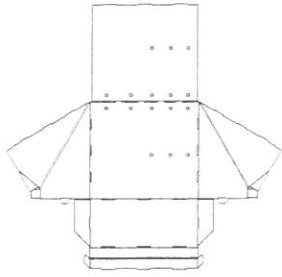
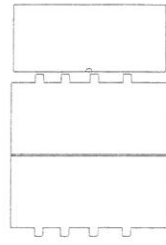


ASSEMBLY INSTRUCTIONS



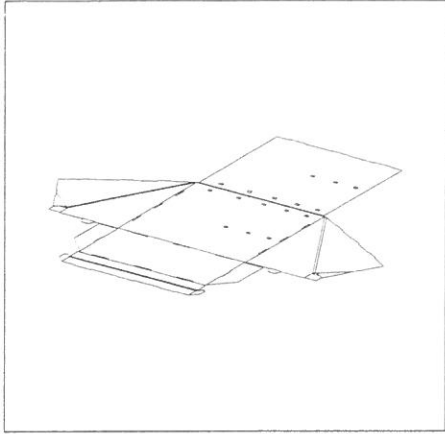
X1



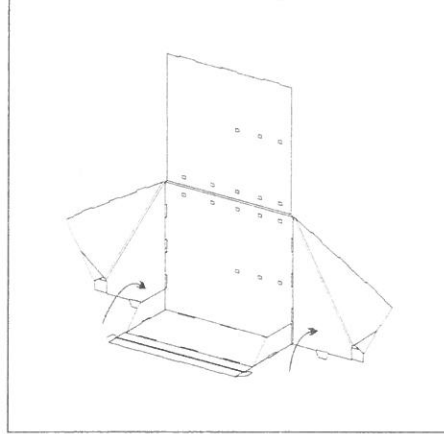
X1



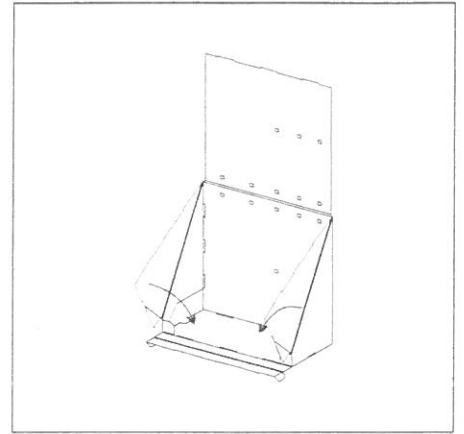
X8



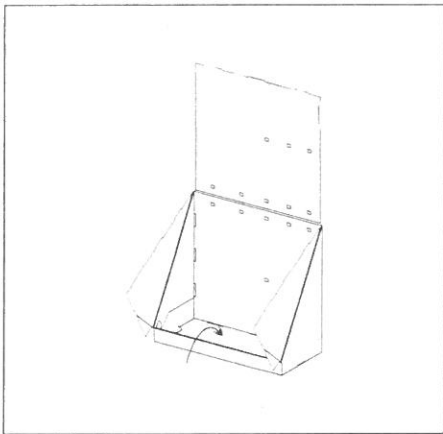
-1-



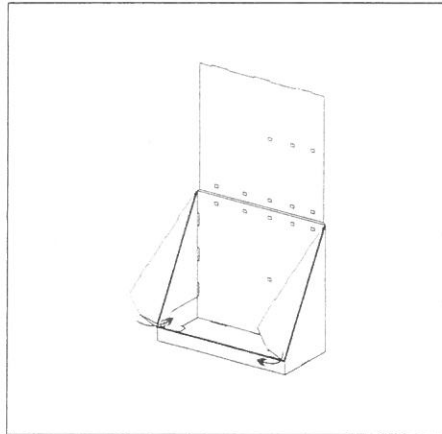
-2-



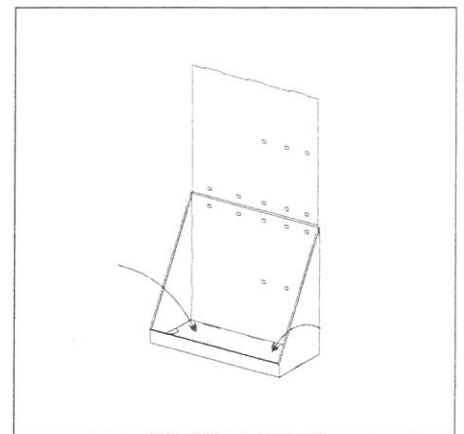
-3-



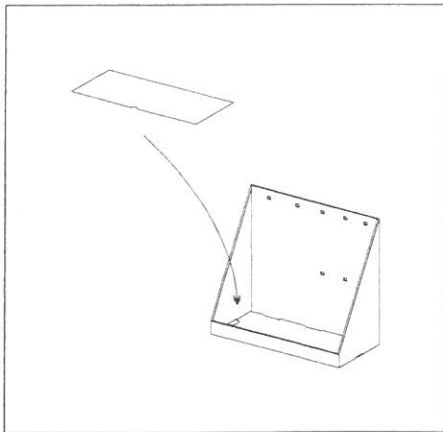
-4-



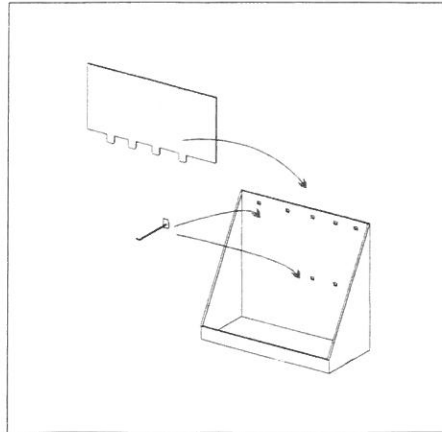
-5-



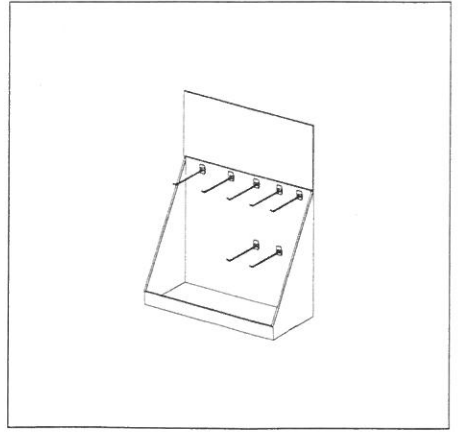
-6-



-7-



-8-



-9-